

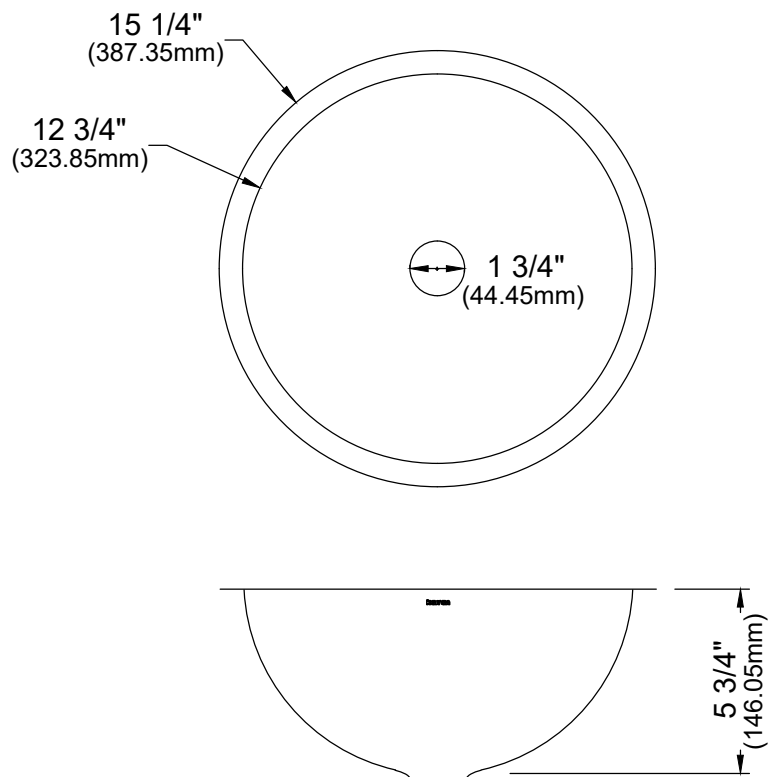
Series	Edge
Material	18 Gauge, Type 304 stainless steel
Installation Type	Seamless undermount
Configuration	Single bowl
Finish	Soft satin brushed finish
Overall Dimensions	Ø15 1/4"
Bowl Dimensions	Ø12 3/4" x 5 3/4"
Drain Size	1 3/4"
Finish Available	Stainless Steel
Minimum cabinet size	18"
Template Included	No
Clips Included	No
Drain Locations	Center



Stocked Color Options



Stainless Steel



Listing and certifications:  
cUPC

Limited lifetime warranty

We reserve the right to update product specifications without notice. Please visit [karran.com](http://karran.com) for the most current specification sheets. All dimensions are accurate to 1/4". REV 10-2025