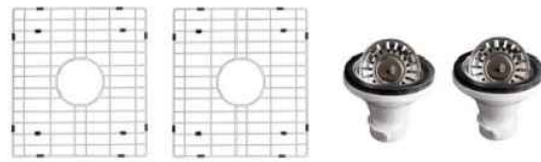
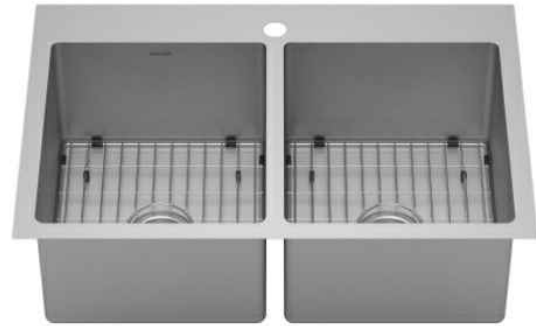


Series	Elite
Material	16 Gauge, Type 304 stainless steel
Installation Type	Top mount / Drop-in
Configuration	Double bowl
Finish	Soft satin brushed finish
Overall Dimensions	33" x 22"
Bowl Dimensions	14 1/2" x 16 3/4" x 10"
Drain Size	3 5/8"
Finish Available	Stainless Steel
Minimum cabinet size	36"
Template Included	Yes
Clips Included	Yes
Drain Locations	Center
Accessories Included	Strainer (x2) and Bottom grid (x2)

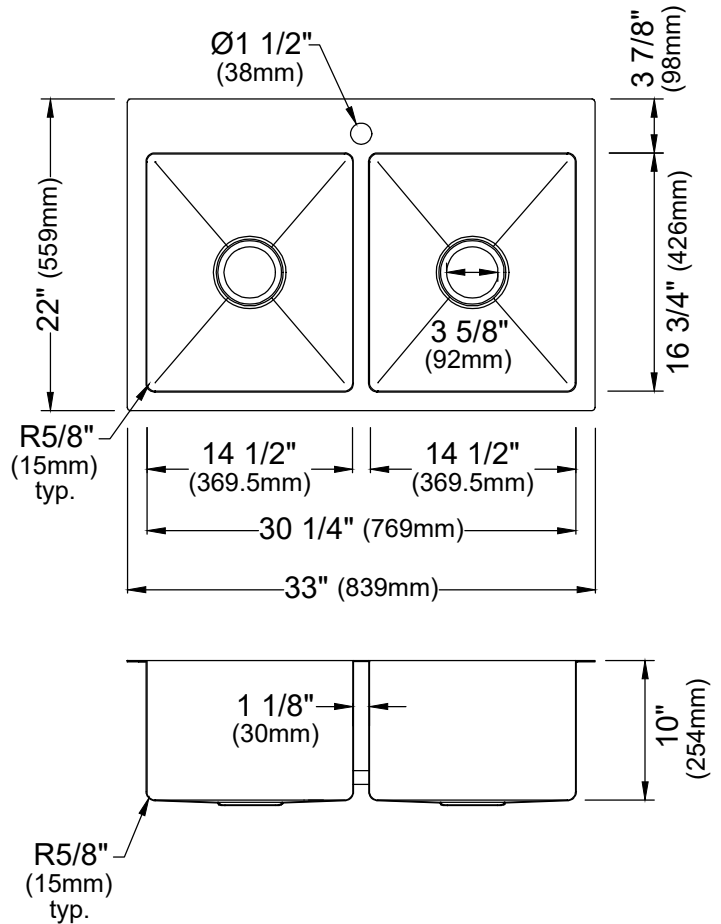


ACCESSORY
Strainer - L-1 x2
Bottom Grid - GR-3210 x2

Stocked Color Options



Stainless Steel



Listing and certifications:
cUPC

Limited lifetime warranty

We reserve the right to update product specifications without notice. Please visit karran.com for the most current specification sheets. All dimensions are accurate to 1/4". REV 02-2025