

Series	Elite
Material	16 Gauge, Type 304 stainless steel
Installation Type	Undermount
Configuration	Single bowl Laundry/Utility
Finish	Soft satin brushed finish
Overall Dimensions	23" x 18"
Bowl Dimensions	21" x 16" x 14"
Drain Size	3 5/8"
Finish Available	Stainless Steel
Minimum cabinet size	27"
Template Included	Yes
Clips Included	Yes
Drain Location	Rear
Accessories Included	Strainer and Bottom grid

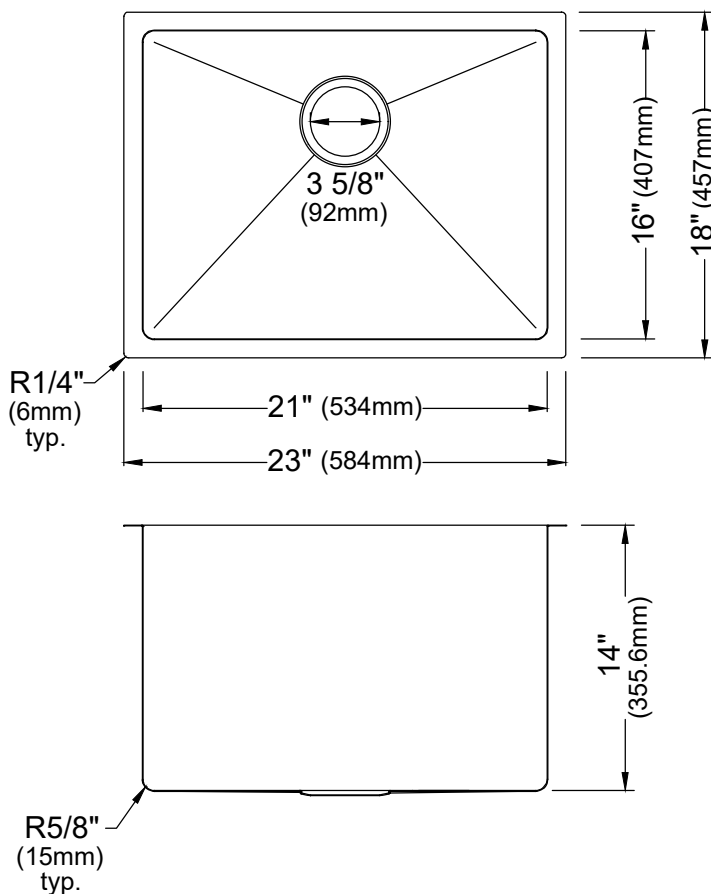


ACCESSORY
Strainer - L-1
Bottom Grid - GR-3208

Stocked Color Options



Stainless Steel



Listing and certifications:
cUPC

Limited lifetime warranty

We reserve the right to update product specifications without notice. Please visit karran.com for the most current specification sheets. All dimensions are accurate to 1/4". REV 02-2025