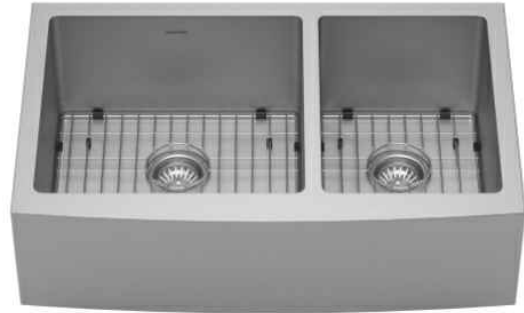


Series	Elite
Material	16 Gauge, Type 304 stainless steel
Installation Type	Apron front
Configuration	Double bowl
Finish	Soft satin brushed finish
Overall Dimensions	33" x 22 1/2"
Left Bowl Dimensions	16 7/8" x 18" x 10"
Right Bowl Dimensions	12 7/8" x 18" x 10"
Drain Size	3 5/8"
Finish Available	Stainless Steel
Minimum cabinet size	33"
Template Included	No
Clips Included	No
Drain Locations	Rear
Accessories Included	Strainer (x2) and Bottom grid (x2)

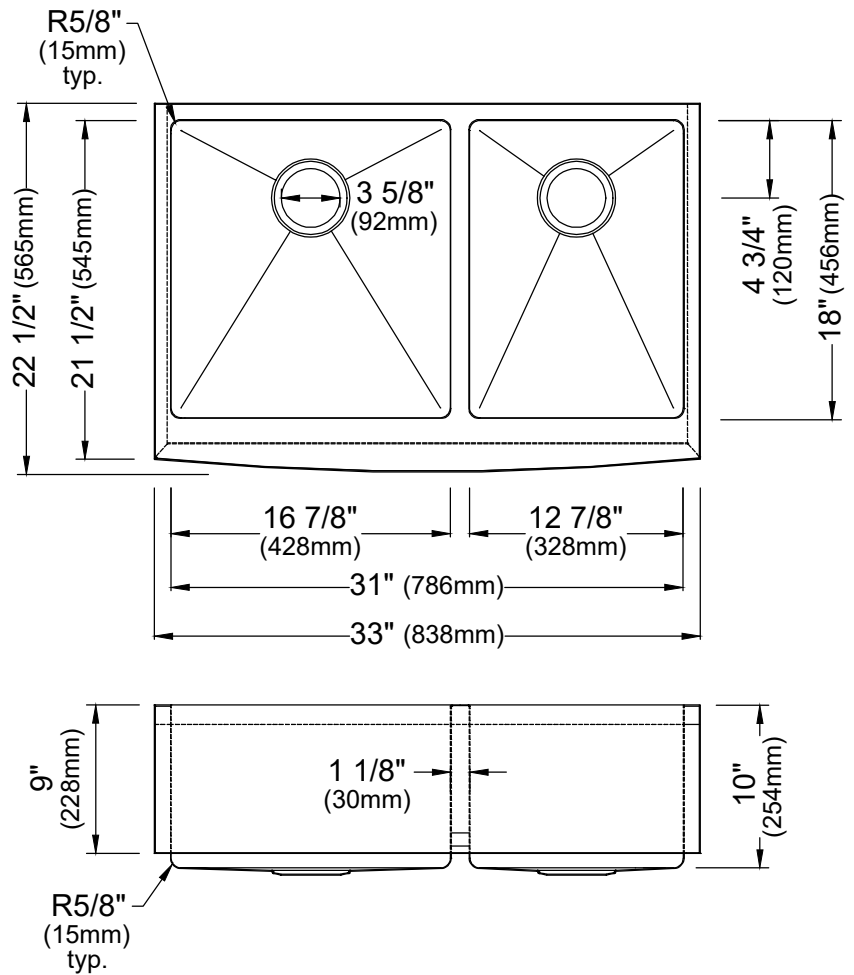


ACCESSORY
Strainer - L-1 x2
Bottom Grid - GR-3216
Bottom Grid - GR-3217

Stocked Color Options



Stainless Steel



Listing and certifications:
cUPC

Limited lifetime warranty