

Shown in Gunmetal Grey

Series	Matrix
Material	16 Gauge, Type 304 stainless steel
Installation Type	Apron front
Configuration	Single bowl
Finish	Embossed hexagon finish
Overall Dimensions	33" x 20" x 10"
Bowl Dimensions	31" x 16" x 9 5/8"
Drain Size	3 1/2"
Finishes Available	Stainless Steel, Gunmetal Grey
Minimum cabinet size	33"
Template Included	No
Clips Included	No
Drain Location	Rear
Accessories Included	Strainer, Cutting board, Drying rack and Strainer cap



MODEL	ACCESSORY
HSU3320SB-D1	Cutting Board - CB1711BLR5
HSU3320SB-D1	Strainer Cap - L-CAPGG
HSU3320SB-D1	Strainer - L-1GGMA
HSU3320SB-D1	Drying Rack - DR1712BLR5
HSU3320SB	Cutting Board - CB1711BLR5
HSU3320SB	Strainer Cap - L-CAP
HSU3320SB	Strainer - L-1
HSU3320SB	Drying Rack - DR1712BLR5

MODEL	FINISH
HSU3320SB-D1	Gunmetal Grey
HSU3320SB	Stainless Steel

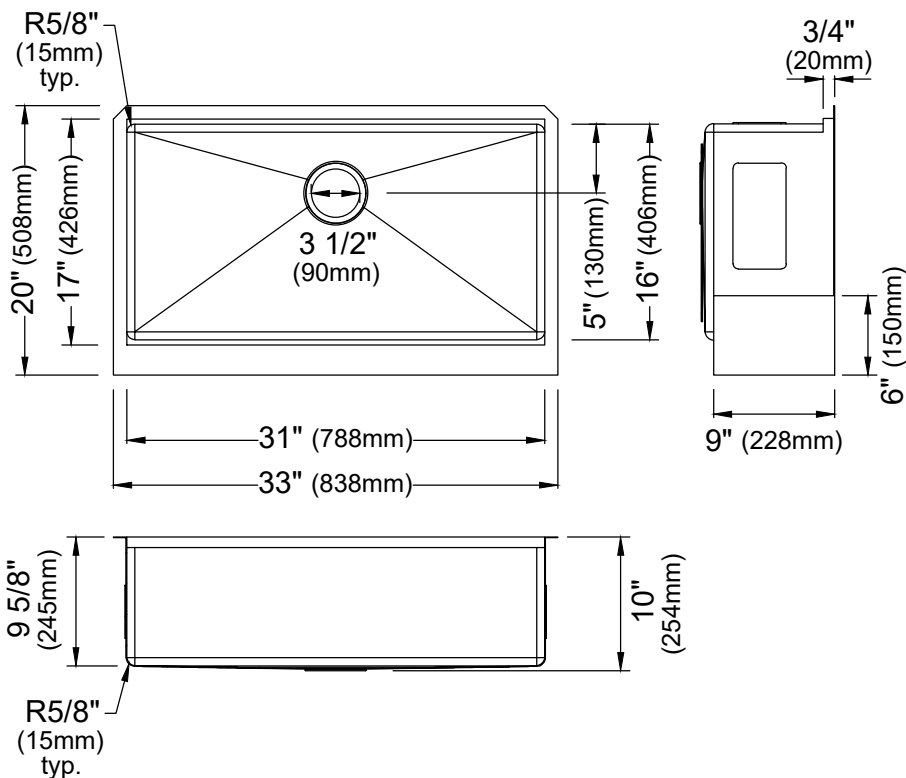
Stocked Color Options



Stainless Steel



Gunmetal Grey



Listing and certifications:
cUPC

Limited lifetime warranty