

Series	Profile
Material	18 Gauge, Type 304 stainless steel
Installation Type	Top Mount
Configuration	Single bowl
Finish	Soft satin brushed finish
Overall Dimensions	25" x 22 1/8" x 8"
Bowl Dimensions	21 3/8" x 15 5/8" x 7 3/4"
Drain Size	3 1/2"
Finish Available	Stainless Steel
Minimum cabinet size	27"
Template Included	Yes
Clips Included	Yes
Drain Location	Center
Accessories Included	Strainer and Bottom grid

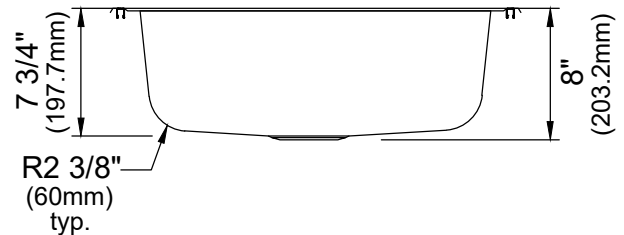
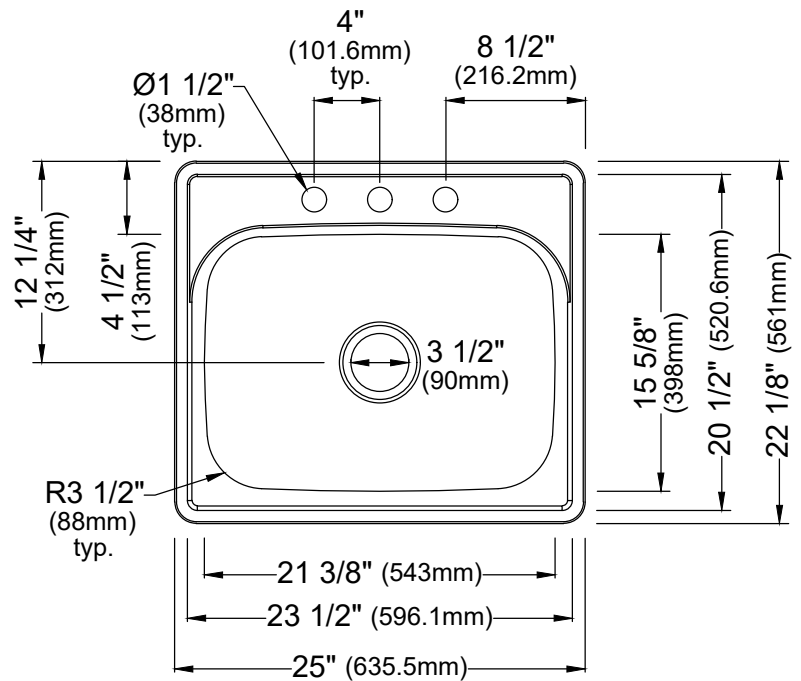


ACCESSORY
Strainer - L-1
Bottom Grid - GR-3237

Stocked Color Options



Stainless Steel



Listing and certifications:
cUPC

Limited lifetime warranty

We reserve the right to update product specifications without notice. Please visit karran.com for the most current specification sheets. All dimensions are accurate to 1/4". REV 07-2025