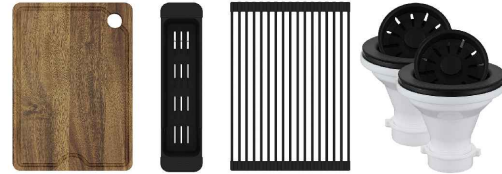


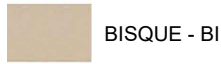
Series	Quartz QT Series
Material	80% quartz / 20% acrylic resin
Installation Type	Top mount / Drop-in
Configuration	Double equal bowl workstation
Finish	Matte finish
Overall Dimensions	33" x 22" X 9 3/4"
Bowl Dimensions	14 3/8" x 15 5/8" x 9"
Drain Size	3 1/2"
Colors Available	Bisque, Concrete, White, Black, Grey, Brown
Minimum cabinet size	36"
Template Included	Yes
Clips Included	Yes
Heat Safe	Up to 535°F
Resistant to	Stain, scratch, abrasion, impact
Drain Location	Rear
Accessories Included	Strainer (x2), Cutting board, Colander, drying rack

Shown in Black



Stocked Color Options

Accessories Included



BISQUE - BI

Strainer - QBSBI
Drying Rack - DR1712BIR5
Cutting Board - CB1711BAM
Colander - COL2204BI



WHITE - WH

Strainer - QBSWH
Drying Rack - DR1712WHR5
Cutting Board - CB1711BAM
Colander - COL2204WH



GREY - GR

Strainer - QBSGR
Drying Rack - DR1712GRR5
Cutting Board - CB1711AC
Colander - COL2204GR



CONCRETE - CN

Strainer - QBSCN
Drying Rack - DR1712CNR5
Cutting Board - CB1711BAM
Colander - COL2204CN



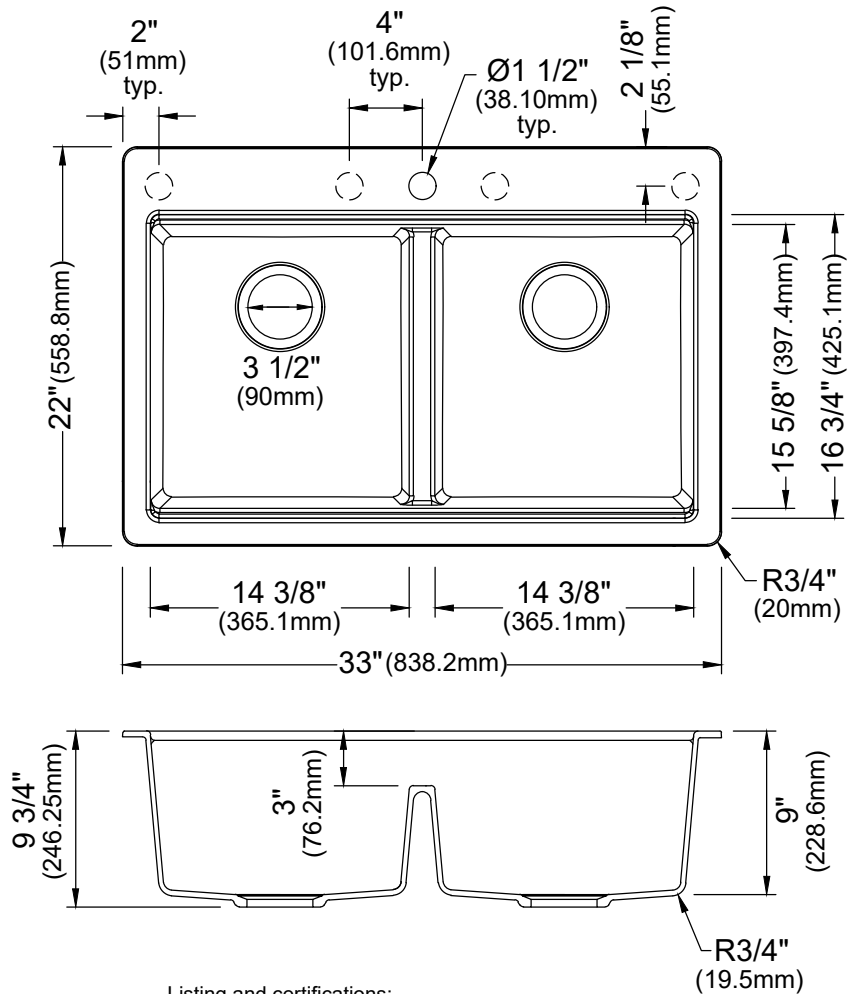
BLACK - BL

Strainer - QBSBL
Drying Rack - DR1712BLR5
Cutting Board - CB1711AC
Colander - COL2204BL



BROWN - BR

Strainer - QBSBR
Drying Rack - DR1712BRR5
Cutting Board - CB1711AC
Colander - COL2204BR



Listing and certifications:  
cUPC

Limited lifetime warranty

- = pre-drilled faucet / drain hole
- = semi-drilled knock-out location(s)

We reserve the right to update product specifications without notice. Please visit [karran.com](http://karran.com) for the most current specification sheets. All dimensions are accurate to 1/4". REV 03-2026