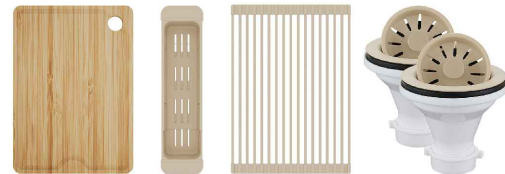


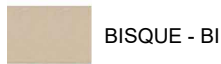
Series	Quartz QU Series
Material	80% quartz / 20% acrylic resin
Installation Type	Undermount
Configuration	Double equal bowl workstation
Finish	Matte finish
Overall Dimensions	32 3/8" x 19 1/8" X 9 5/8"
Bowl Dimensions	14 3/8" x 15 5/8" x 9"
Drain Size	3 1/2"
Colors Available	Bisque, Concrete, White, Black, Grey, Brown
Minimum cabinet size	36"
Template Included	Yes
Clips Included	Yes
Heat Safe	Up to 535°F
Resistant to	Stain, scratch, abrasion, impact
Drain Location	Rear
Accessories Included	Strainer (x2), Cutting board, Colander, Drying rack

Shown in Bisque



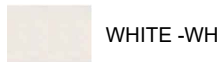
Stocked Color Options

Accessories Included



BISQUE - BI

Strainer - QBSBI
Drying Rack - DR1712BIR5
Cutting Board - CB1711BAM
Colander - COL2204BI



WHITE - WH

Strainer - QBSWH
Drying Rack - DR1712WHR5
Cutting Board - CB1711BAM
Colander - COL2204WH



GREY - GR

Strainer - QBSGR
Drying Rack - DR1712GRR5
Cutting Board - CB1711AC
Colander - COL2204GR



CONCRETE - CN

Strainer - QBSCN
Drying Rack - DR1712CNR5
Cutting Board - CB1711BAM
Colander - COL2204CN



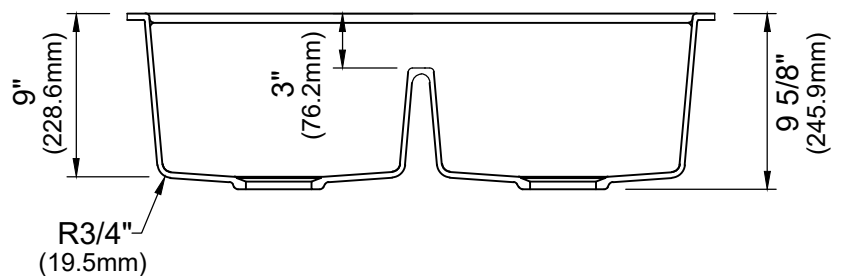
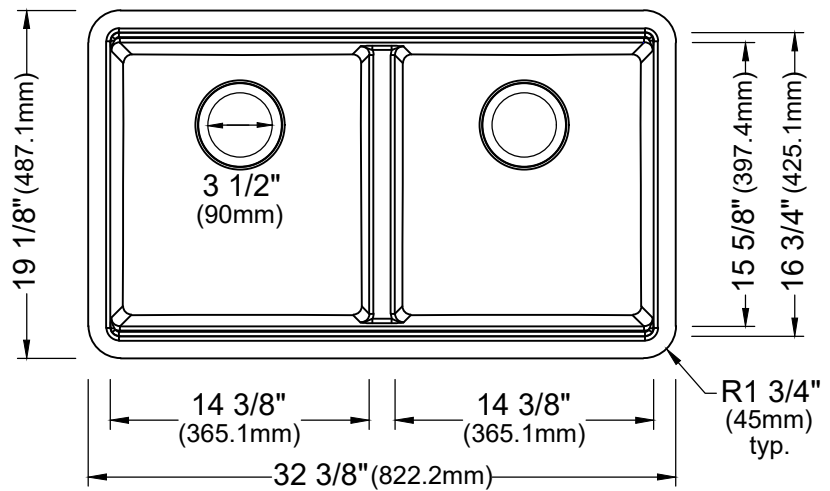
BLACK - BL

Strainer - QBSBL
Drying Rack - DR1712BLR5
Cutting Board - CB1711AC
Colander - COL2204BL



BROWN - BR

Strainer - QBSBR
Drying Rack - DR1712BRR5
Cutting Board - CB1711AC
Colander - COL2204BR



Listing and certifications:
cUPC

Limited lifetime warranty

We reserve the right to update product specifications without notice. Please visit karran.com for the most current specification sheets. All dimensions are accurate to 1/4". REV 03-2026