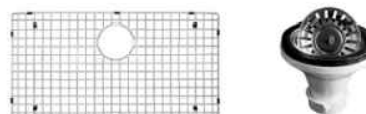


Series	Select
Material	16 Gauge, Type 304 stainless steel
Installation Type	Undermount
Configuration	Single bowl
Finish	Soft satin brushed finish
Overall Dimensions	30" x 18"
Bowl Dimensions	28" x 16" x 9 1/4"
Drain Size	3 1/2"
Finish Available	Stainless Steel
Minimum cabinet size	33"
Template Included	Yes
Clips Included	Yes
Drain Location	Rear
Accessories Included	Bottom grid and Strainer

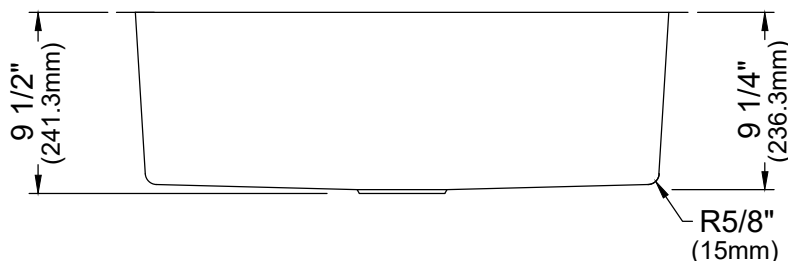
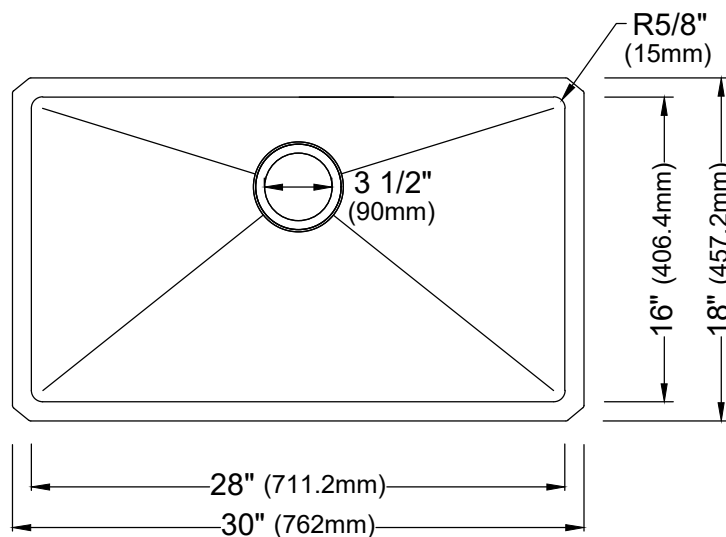


ACCESSORY
Bottom Grid - GR-3018
Strainer - L-1

Stocked Color Options



Stainless Steel



Listing and certifications:
cUPC

Limited lifetime warranty

We reserve the right to update product specifications without notice. Please visit karran.com for the most current specification sheets. All dimensions are accurate to 1/4". REV 10-2025