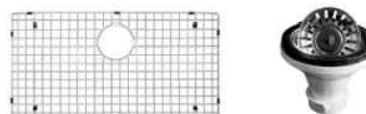


Series	Select
Material	16 Gauge, Type 304 stainless steel
Installation Type	Undermount
Configuration	Single bowl
Finish	Soft satin brushed finish
Overall Dimensions	32" x 18"
Bowl Dimensions	30" x 16" x 10"
Drain Size	3 1/2"
Finish Available	Stainless Steel
Minimum cabinet size	36"
Template Included	Yes
Clips Included	Yes
Drain Location	Rear
Accessories Included	Bottom grid and Strainer

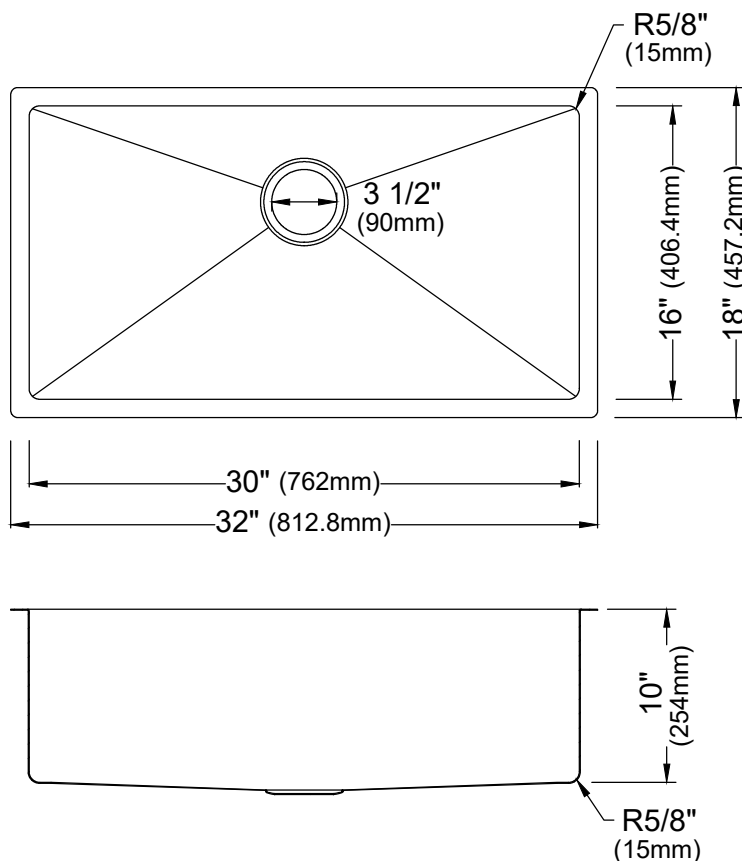


ACCESSORY
Bottom Grid - GR-3017
Strainer - L-1

Stocked Color Options



Stainless Steel



Listing and certifications:
cUPC

Limited lifetime warranty