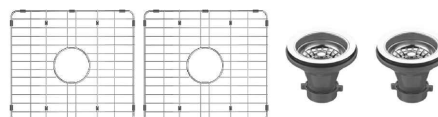


Series	Lansen
Material	18 Gauge, Type 304 stainless steel
Installation Type	Undermount
Configuration	Double bowl
Finish	Soft satin brushed finish
Overall Dimensions	32" x 18 1/2" x 9"
Bowl Dimensions	14 1/2" x 16 1/2" x 8 3/4"
Drain Size	3 1/2"
Finish Available	Stainless Steel
Minimum cabinet size	36"
Template Included	Yes
Clips Included	Yes
Drain Location	Center
Accessories Included	Strainer (x2) and Bottom grid (x2)

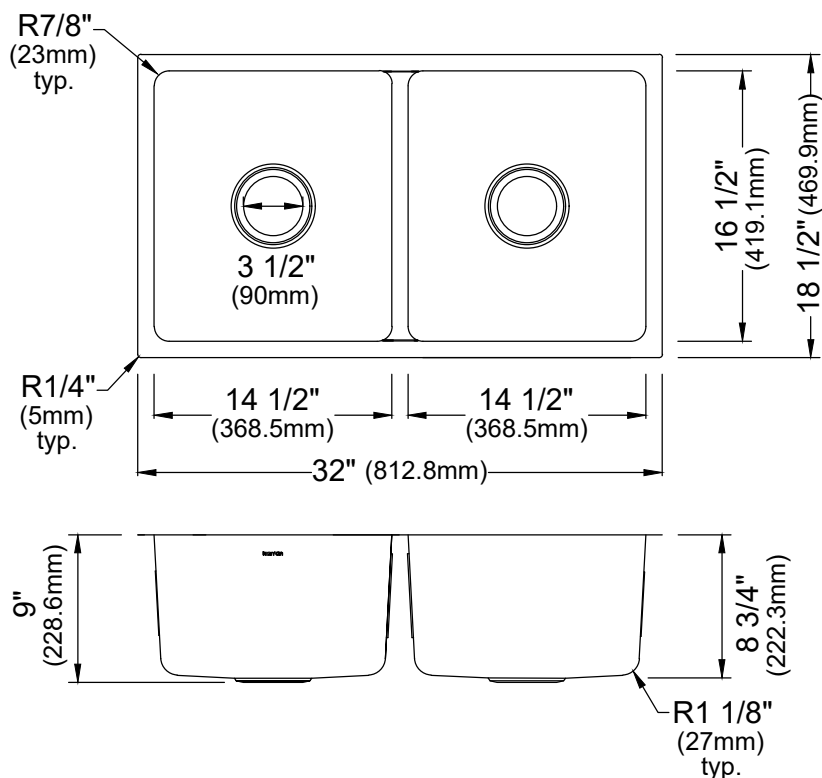


ACCESSORY	
Bottom Grid - GR-4020	x2
Strainer - L-1	x2

Stocked Color Options



Stainless Steel



Listing and certifications:
cUPC

Limited lifetime warranty

We reserve the right to update product specifications without notice. Please visit karran.com for the most current specification sheets. All dimensions are accurate to 1/4". REV 09-2025