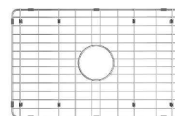


Series	Lansen
Material	18 Gauge, Type 304 stainless steel
Installation Type	Undermount
Configuration	Single bowl
Finish	Soft satin brushed finish
Overall Dimensions	24" x 18 1/2" x 9"
Bowl Dimensions	22" x 16 1/2" x 8 3/4"
Drain Size	3 1/2"
Finish Available	Stainless Steel
Minimum cabinet size	27"
Template Included	Yes
Clips Included	Yes
Drain Location	Center
Accessories Included	Strainer and Bottom grid

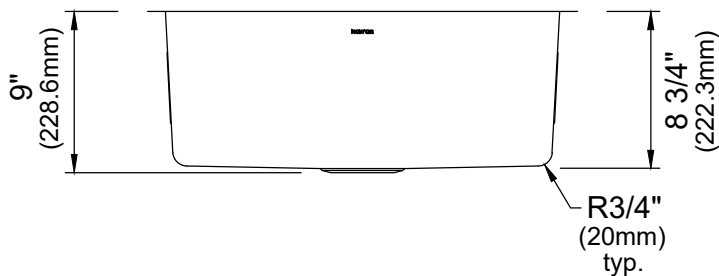
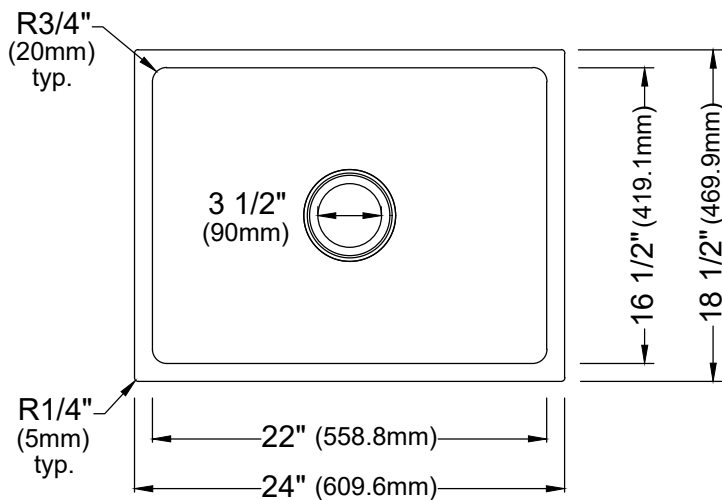


ACCESSORY
Bottom Grid - GR-4018
Strainer - L-1

Stocked Color Options



Stainless Steel



Listing and certifications:
cUPC

Limited lifetime warranty