

Series	Elite Workstation
Material	16 Gauge, Type 304 stainless steel
Installation Type	Undermount
Configuration	Single bowl
Finish	Satin brushed finish
Overall Dimensions	23" x 18 3/4"
Bowl Dimensions	21" x 16" x 9 3/4"
Drain Size	3 1/2"
Finish Available	Stainless Steel
Minimum cabinet size	27"
Template Included	Yes
Clips Included	Yes
Drain Location	Rear
Accessories Included	Strainer, Bottom grid, Drying rack and Cutting board



ACCESSORY	
Strainer - L-1	
Bottom Grid - GR-3236	
Cutting Board - CB1711SW	
Drying Rack - DR1713	

MODEL	FINISH
WS-32-PK1	Stainless Steel

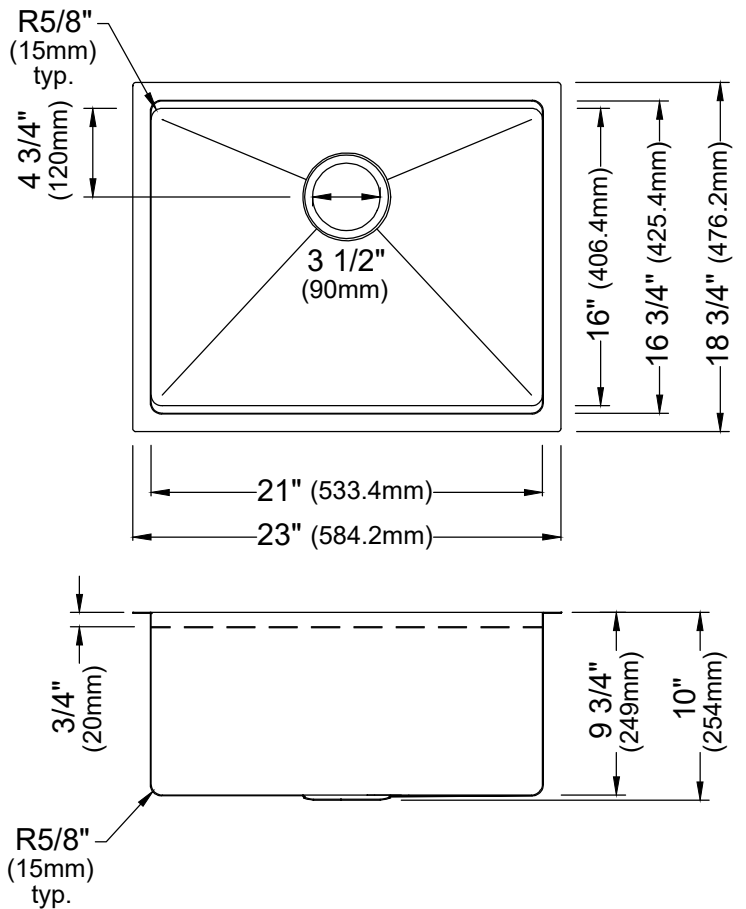
Stocked Color Options



Stainless Steel

Listing and certifications:  
cUPC

Limited lifetime warranty



We reserve the right to update product specifications without notice. Please visit [karran.com](http://karran.com) for the most current specification sheets. All dimensions are accurate to 1/4". REV 02-2025