

Series	Elite Workstation
Material	16 Gauge, Type 304 stainless steel
Installation Type	Undermount
Configuration	Single bowl
Finish	Satin brushed finish
Overall Dimensions	32" x 18 3/4" x 10 1/4"
Bowl Dimensions	30" x 16" x 10"
Drain Size	3 1/2"
Finishes Available	Stainless Steel, Gunmetal Black
Minimum cabinet size	36"
Template Included	Yes
Clips Included	Yes
Drain Location	Rear
Accessories Included	Strainer, Bottom grid, Drying rack and Cutting board

Shown in Stainless Steel



MODEL	ACCESSORY
WS-37-D1-PK1	Strainer - L-1GG
WS-37-D1-PK1	Bottom Grid - GR-3240GG
WS-37-D1-PK1	Cutting Board - CB1711AC
WS-37-D1-PK1	Drying Rack - DR1713DG
WS-37-PK1	Strainer - L-1
WS-37-PK1	Bottom Grid - GR-3240
WS-37-PK1	Cutting Board - CB1711SW
WS-37-PK1	Drying Rack - DR1713

MODEL	FINISH
WS-37-D1-PK1	Gunmetal Black
WS-37-PK1	Stainless Steel

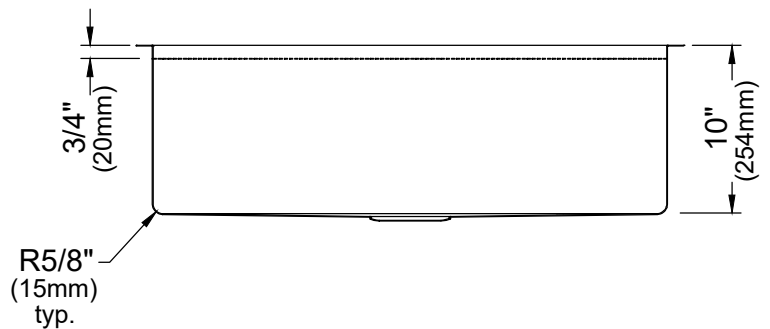
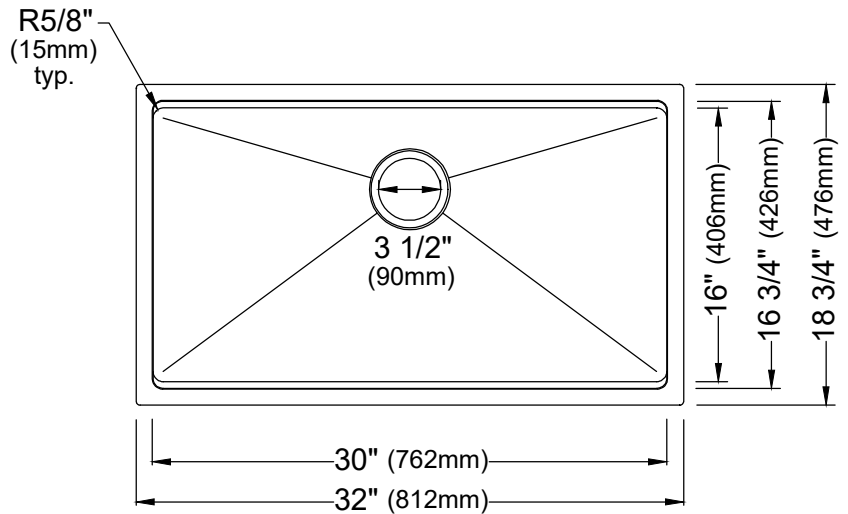
Stocked Color Options



Stainless Steel



Gunmetal Black



Listing and certifications:  
cUPC

Limited lifetime warranty