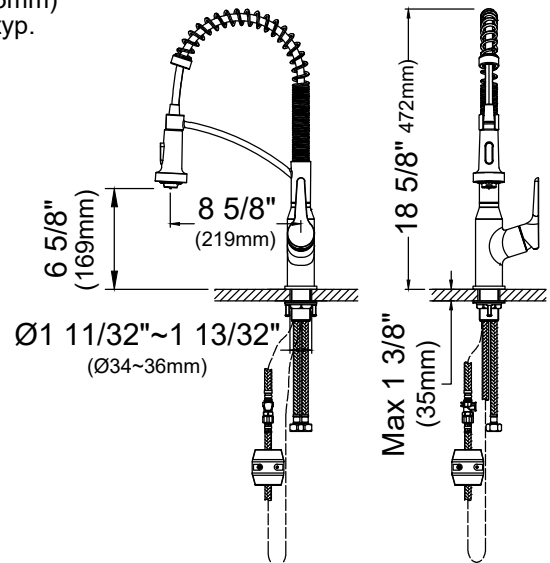
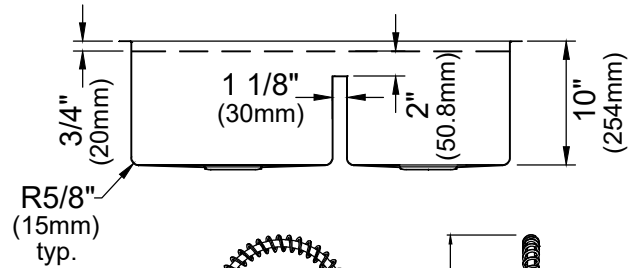
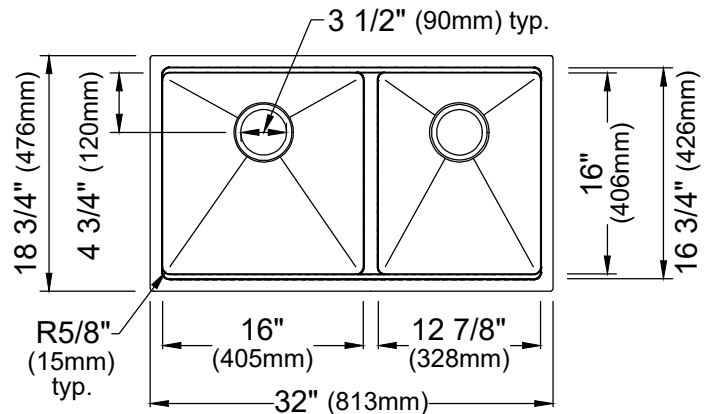


Series	Elite Workstation Sink / Scottsdale Faucet
Material	16 Gauge, Type 304 stainless steel / Lead-free brass
Installation Type	Undermount / Single hole
Configuration/Style	Double bowl / Commercial style pull down with retractable hose
Finish	Satin brushed finish / Durable PVD, multi-plated, corrosion resistant
Sink Overall Dimensions	32" x 18 3/4"
Left Bowl Dimensions	16" x 16" x 10"
Right Bowl Dimensions	12 7/8" x 16" x 10"
Drain Size	3 1/2"
Finish Available	Stainless Steel
Minimum cabinet size	36"
Sink Template Included	Yes
Sink Clips Included	Yes
Drain Location	Rear
Faucet Height	18 5/8"
Spout Reach	8 5/8"
Spout Height	6 5/8"
Max. Deck Thickness	1 3/8"
Sprayhead function	3 Function - Spray, Stream and Focused
Water Flow	1.8 GPM
Spout Swivel	360°
What's Included	Mounting hardware, hot and cold water lines
Hose	21 1/2" nylon braided hose
Accessories Included	Faucet, Strainer (x2), Bottom grid (x2), Drying rack, Cutting board and Colander



What's Included In The Kit
Sink - WS-40
Faucet - KKF210SFSS
Strainer - L-1 x2
Bottom Grid - GR-3243
Bottom Grid - GR-3244
Cutting Board - CB1711SW
Drying Rack - DR1713
Colander - COL175SS

MODEL	FINISH	MATERIAL
WS-40	Stainless Steel	Type 304 Stainless Steel
KKF210SFSS	Spot Free Stainless Steel	Lead-Free Brass
CB1711SW	Sapele Wood	Sapele Wood

Listing and certifications:

Sink - cUPC
 Faucet - ASME A112.18.1/CSA B125.1,
 NSF372/AB1953, NSF61, DOE

Limited lifetime warranty

We reserve the right to update product specifications without notice. Please visit karran.com for the most current specification sheets. All dimensions are accurate to 1/4". REV 03-2026