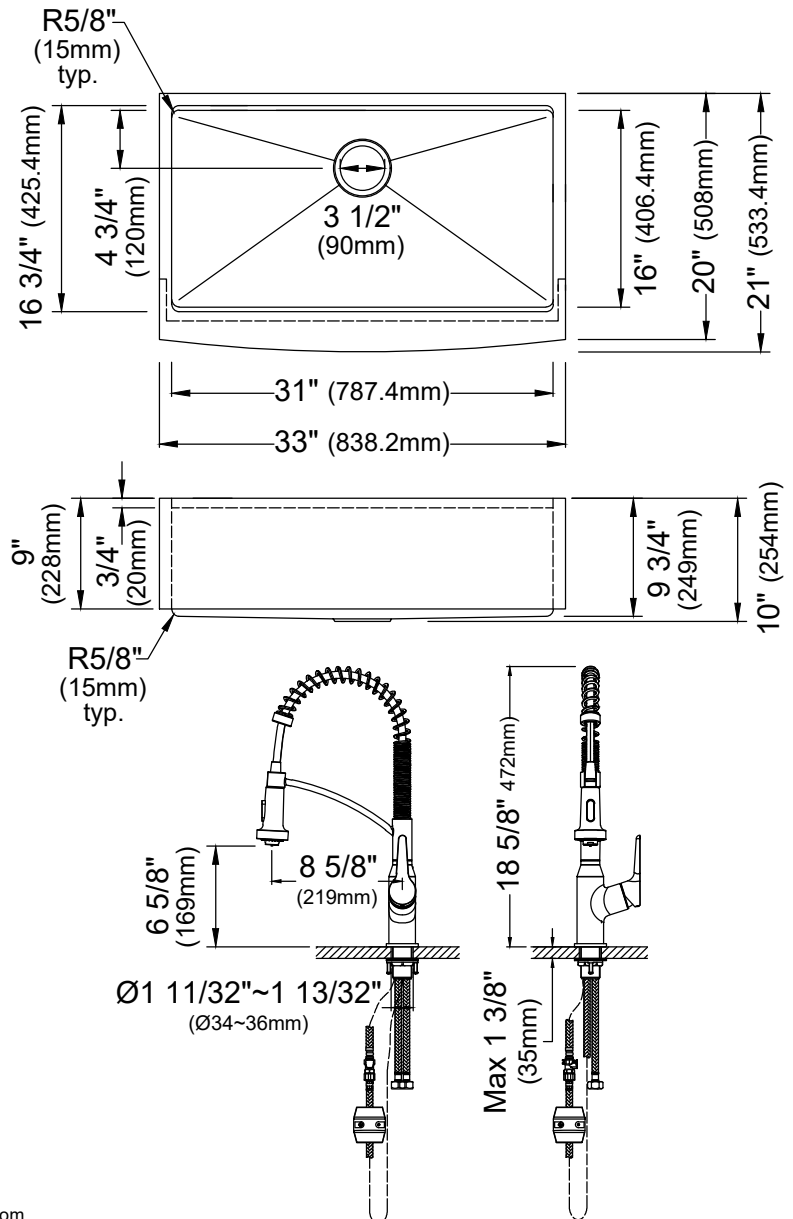


Series	Elite Workstation Sink / Scottsdale Faucet
Material	16 Gauge, Type 304 stainless steel / Lead-free brass
Installation Type	Apron front / Single hole
Configuration/Style	Single bowl / Commercial style pull down with retractable hose
Finish	Satin brushed finish / Durable PVD, multi-plated, corrosion resistant
Sink Overall Dimensions	33" x 21" x 10"
Sink Bowl Dimensions	31" x 16" x 9 3/4"
Drain Size	3 1/2"
Finish Available	Stainless Steel
Minimum cabinet size	33"
Sink Template Included	No
Sink Clips Included	No
Drain Location	Rear
Faucet Height	18 5/8"
Spout Reach	8 5/8"
Spout Height	6 5/8"
Max. Deck Thickness	1 3/8"
Sprayhead function	3 Function - Spray, Stream and Focused
Water Flow	1.8 GPM
Spout Swivel	360°
What's Included	Mounting hardware, hot and cold water lines
Hose	21 1/2" nylon braided hose
Accessories Included	Faucet, Strainer, Bottom grid, Drying rack, Cutting board and Colander



What's Included In The Kit
Sink - WSA-45
Faucet - KKF210SFSS
Strainer - L-1
Bottom Grid - GR-3246
Cutting Board - CB1711SW
Drying Rack - DR1713
Colander - COL175SS

MODEL	FINISH	MATERIAL
WSA-45	Stainless Steel	Type 304 Stainless Steel
KKF210SFSS	Spot Free Stainless Steel	Lead-Free Brass
CB1711SW	Sapele Wood	Sapele Wood

Listing and certifications:

Sink - cUPC
 Faucet - ASME A112.18.1/CSA B125.1,
 NSF372/AB1953, NSF61, DOE

Limited lifetime warranty