

Series	Elite Workstation
Material	16 Gauge, Type 304 stainless steel
Installation Type	Apron front
Configuration	Single bowl
Finish	Satin brushed finish
Overall Dimensions	36" x 21"
Bowl Dimensions	34" x 16" x 10"
Drain Size	3 5/8"
Finish Available	Stainless Steel
Minimum cabinet size	36"
Template Included	No
Clips Included	No
Drain Location	Right offset
Accessories Included	Strainer, Bottom grid, Drying rack and Cutting board



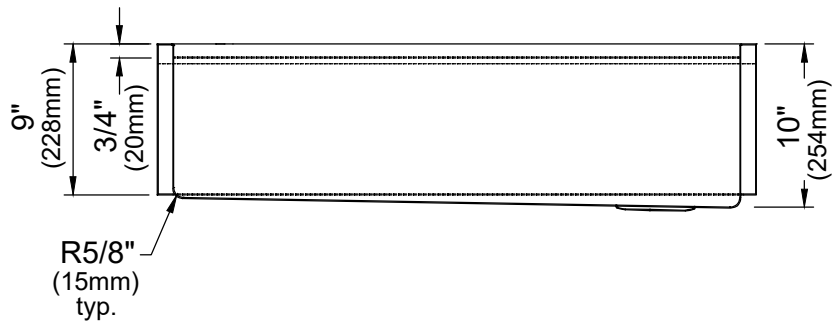
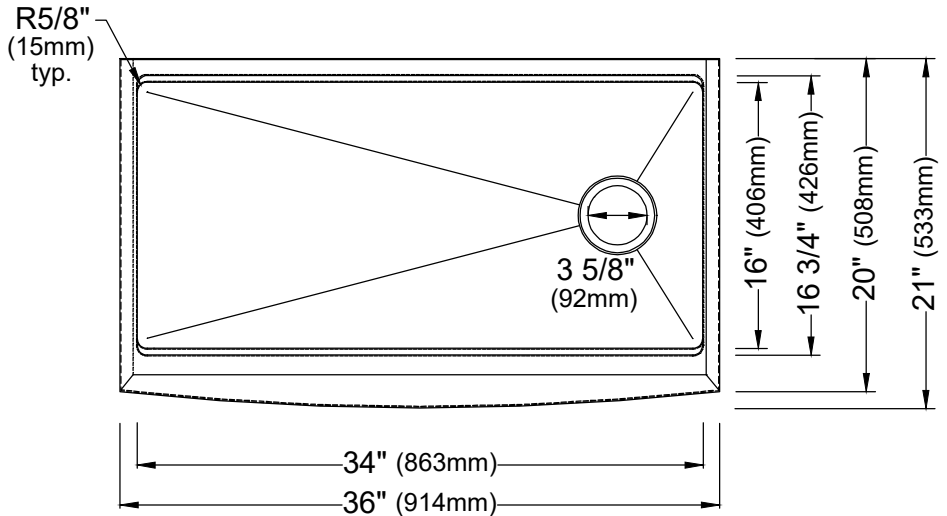
ACCESSORY	
Strainer - L-1	
Bottom Grid - GR-3241	
Cutting Board - CB1711SW	
Drying Rack - DR1713	

MODEL	FINISH
WSA-46-PK1	Stainless Steel

Stocked Color Options



Stainless Steel



Listing and certifications:
cUPC

Limited lifetime warranty

We reserve the right to update product specifications without notice. Please visit karran.com for the most current specification sheets. All dimensions are accurate to 1/4". REV 02-2025