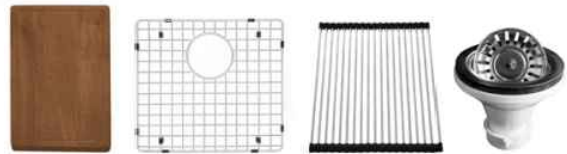


Series	Elite Workstation
Material	16 Gauge, Type 304 stainless steel
Installation Type	Top mount
Configuration	Single bowl
Finish	Satin brushed finish
Overall Dimensions	25" x 22"
Bowl Dimensions	22 1/4" x 16" x 10"
Drain Size	3 5/8"
Finish Available	Stainless Steel
Minimum cabinet size	27"
Template Included	Yes
Clips Included	Yes
Drain Location	Rear
Accessories Included	Strainer, Bottom grid, Drying rack and Cutting board



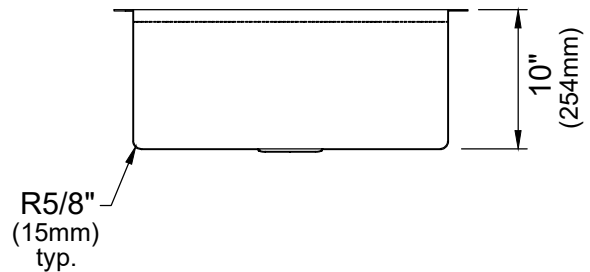
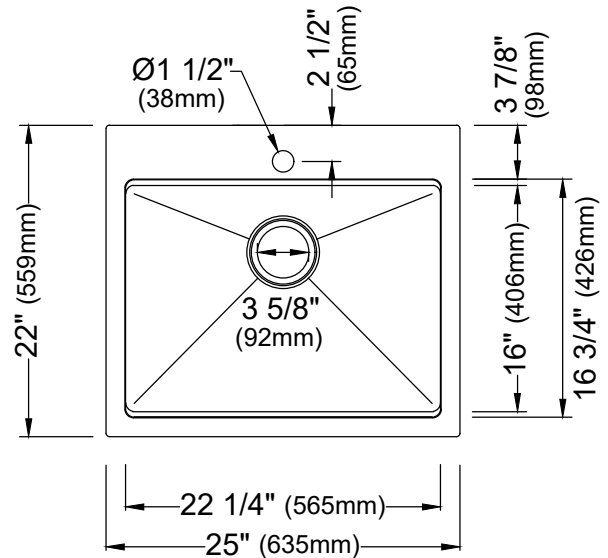
ACCESSORY	
Strainer - L-1	
Bottom Grid - GR-3230	
Cutting Board - CB1711SW	
Drying Rack - DR1713	

MODEL	FINISH
WST-20-PK1	Stainless Steel

Stocked Color Options



Stainless Steel



Listing and certifications:
cUPC

Limited lifetime warranty