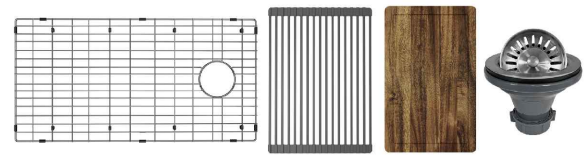


Series	Elite Workstation
Material	16 Gauge, Type 304 stainless steel
Installation Type	Top mount
Configuration	Single bowl
Finish	Satin brushed finish
Overall Dimensions	33" x 22" x 10"
Bowl Dimensions	30 1/4" x 16" x 9 1/2"
Drain Size	3 1/2"
Finishes Available	Stainless Steel, Gunmetal Black
Minimum cabinet size	36"
Template Included	Yes
Clips Included	Yes
Drain Location	Right offset
Accessories Included	Strainer, Bottom grid, Drying rack and Cutting board

Shown in Gunmetal Black



MODEL	ACCESSORY
WST-26-D1-PK1	Strainer - L-1GG
WST-26-D1-PK1	Bottom Grid - GR-3233GG
WST-26-D1-PK1	Cutting Board - CB1711AC
WST-26-D1-PK1	Drying Rack - DR1713DG
WST-26-PK1	Strainer - L-1
WST-26-PK1	Bottom Grid - GR-3233
WST-26-PK1	Cutting Board - CB1711SW
WST-26-PK1	Drying Rack - DR1713

MODEL	FINISH
WST-26-D1-PK1	Gunmetal Black
WST-26-PK1	Stainless Steel

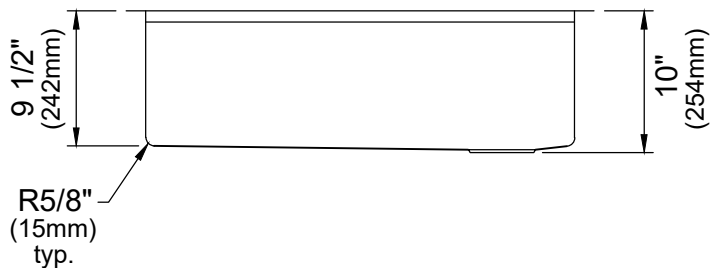
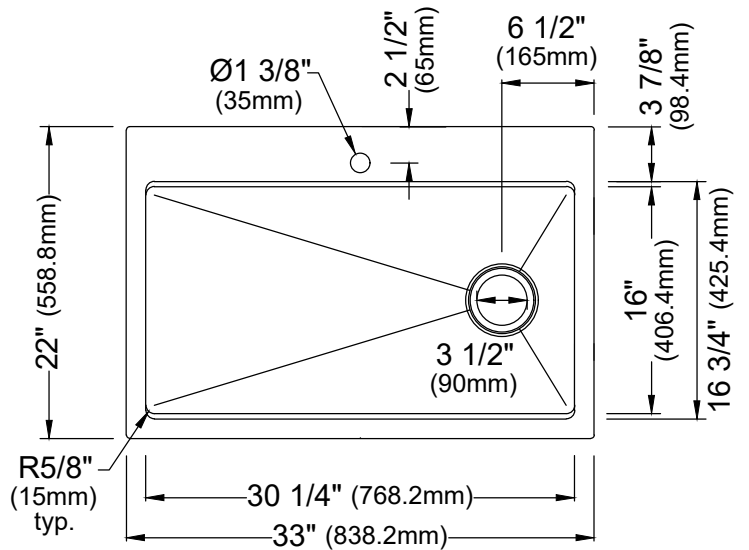
Stocked Color Options



Stainless Steel



Gunmetal Black



Listing and certifications:  
cUPC

Limited lifetime warranty